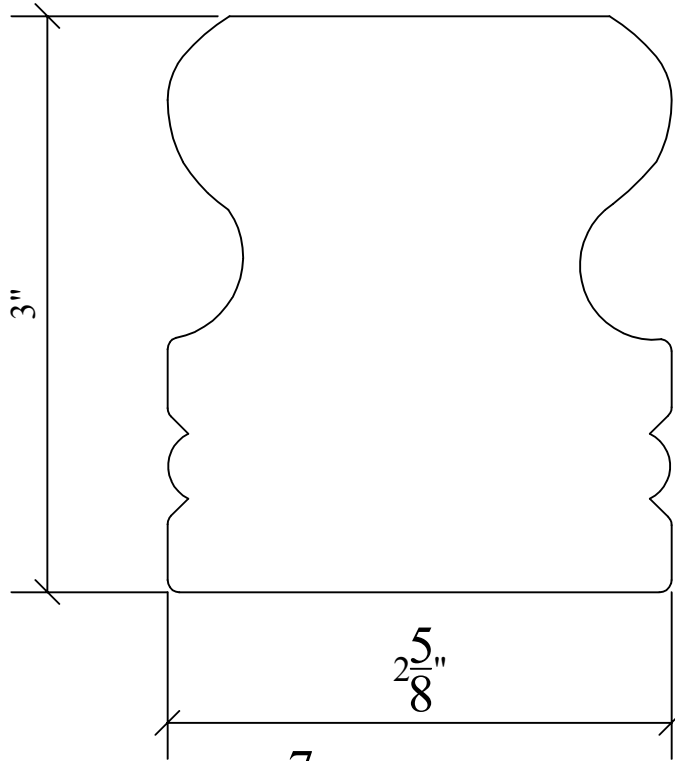
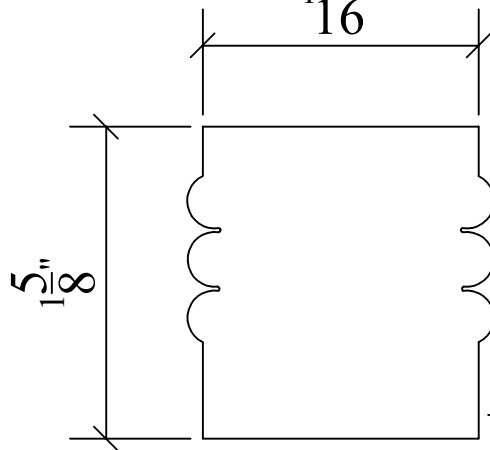


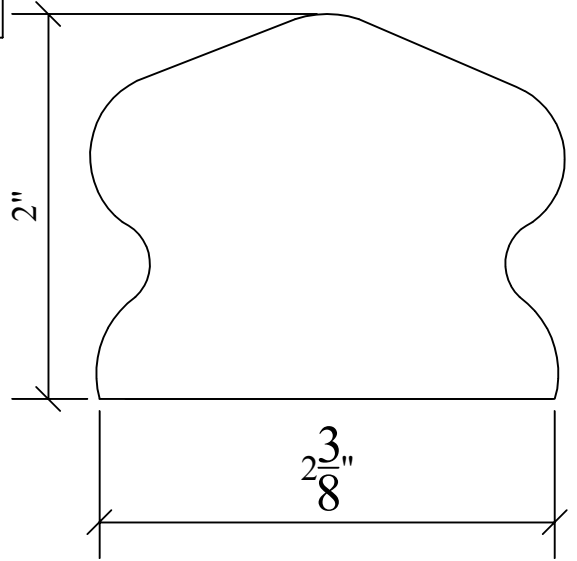
PR-33



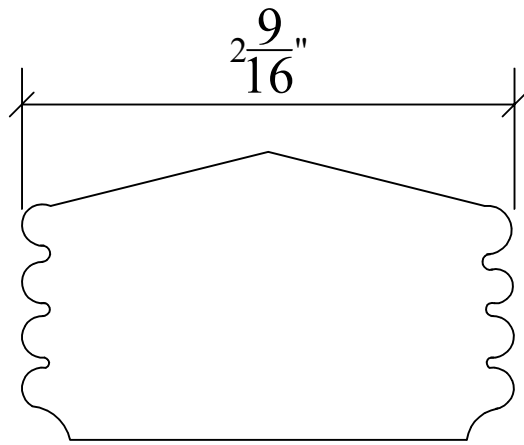
PR-34



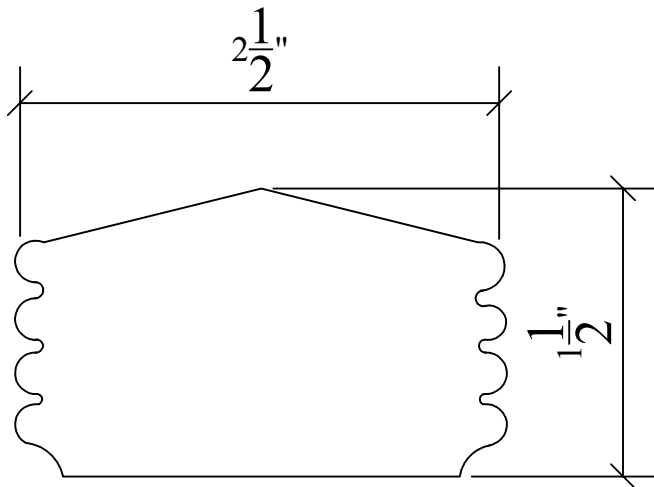
PR-35



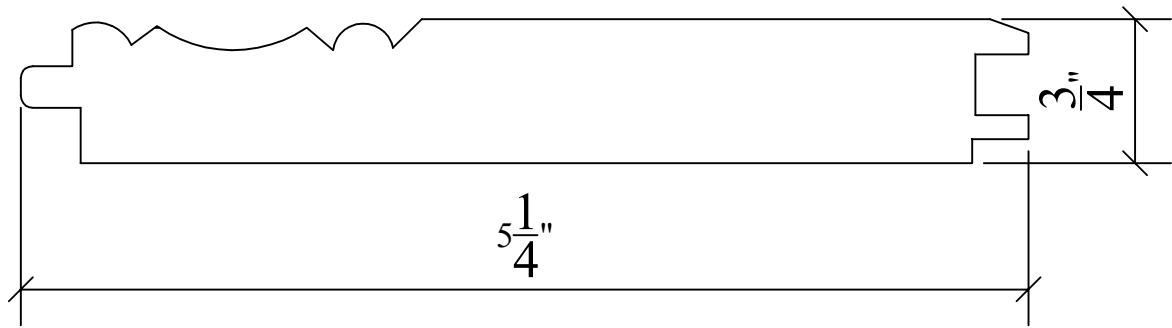
PR-36

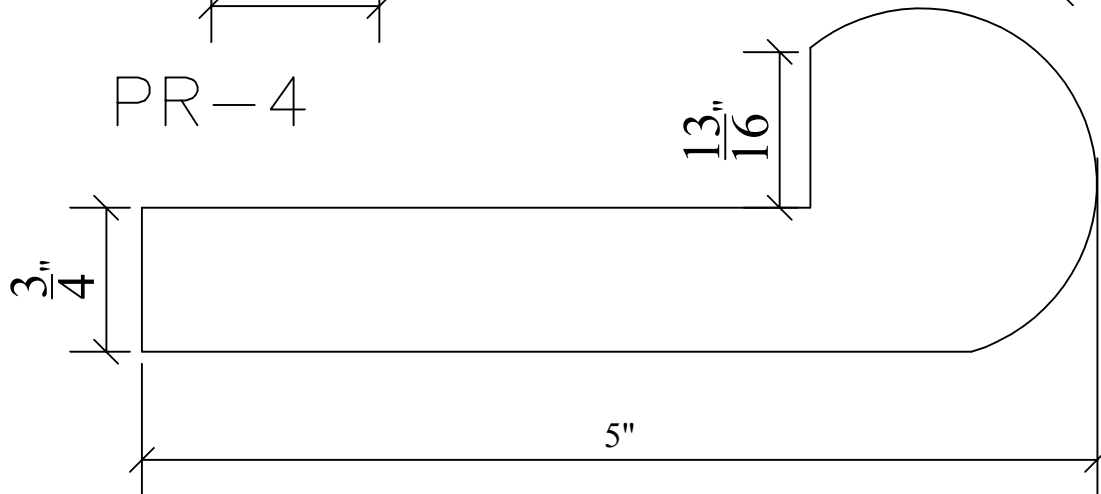
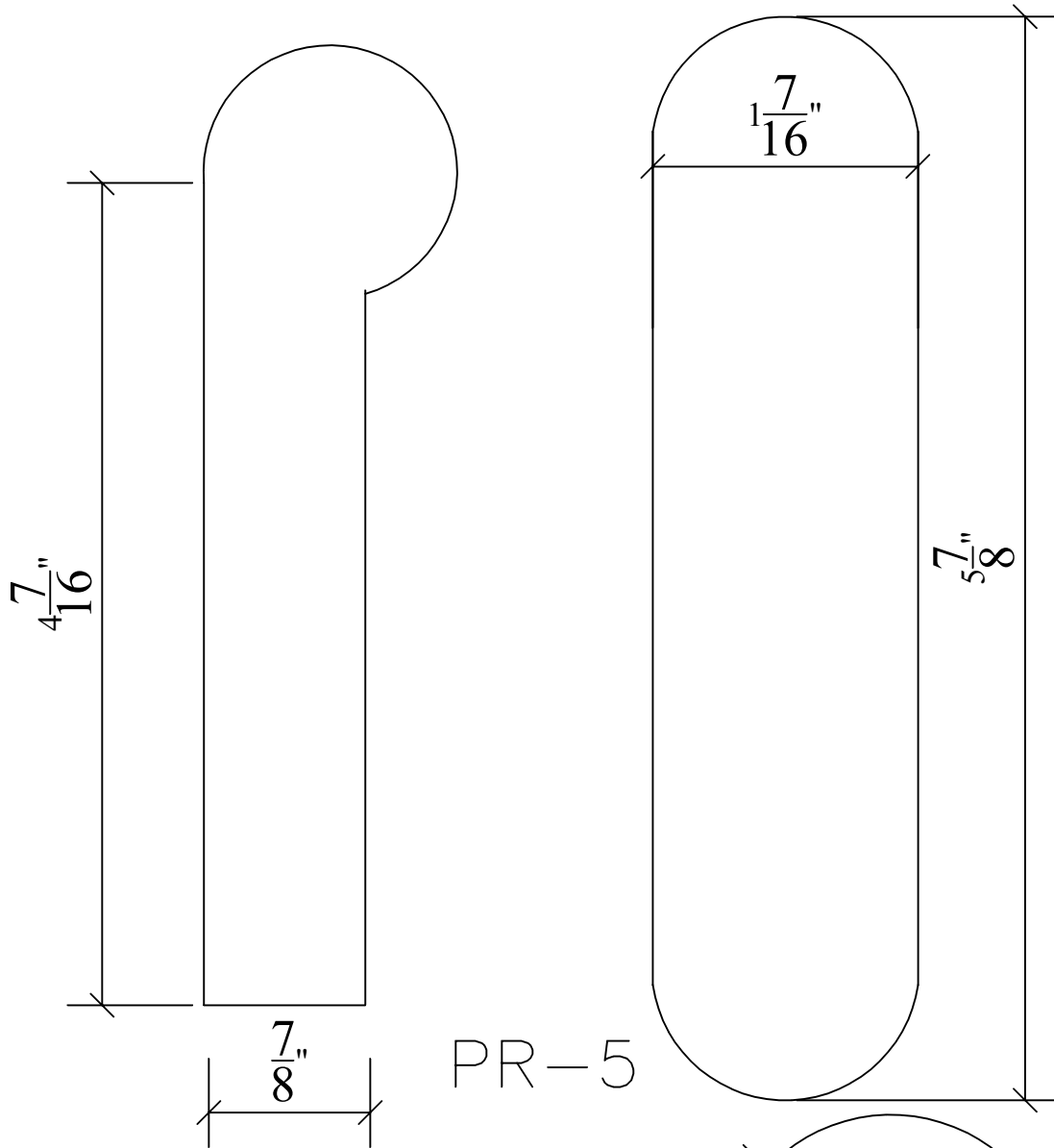


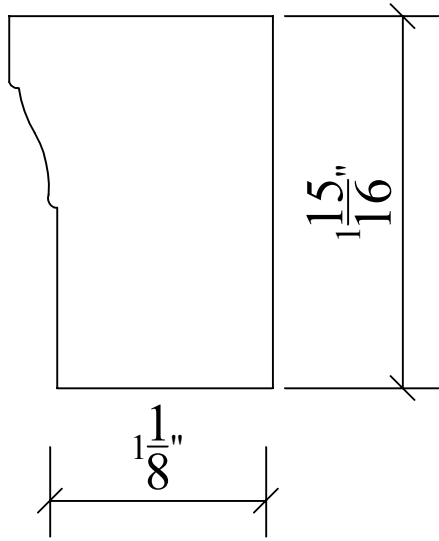
PR-37



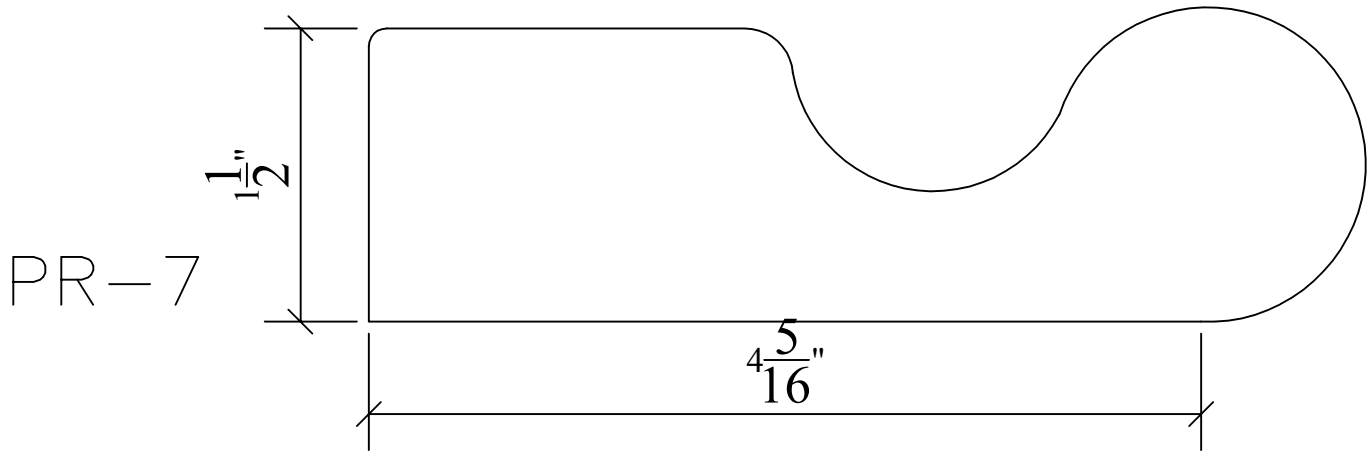
PR-38



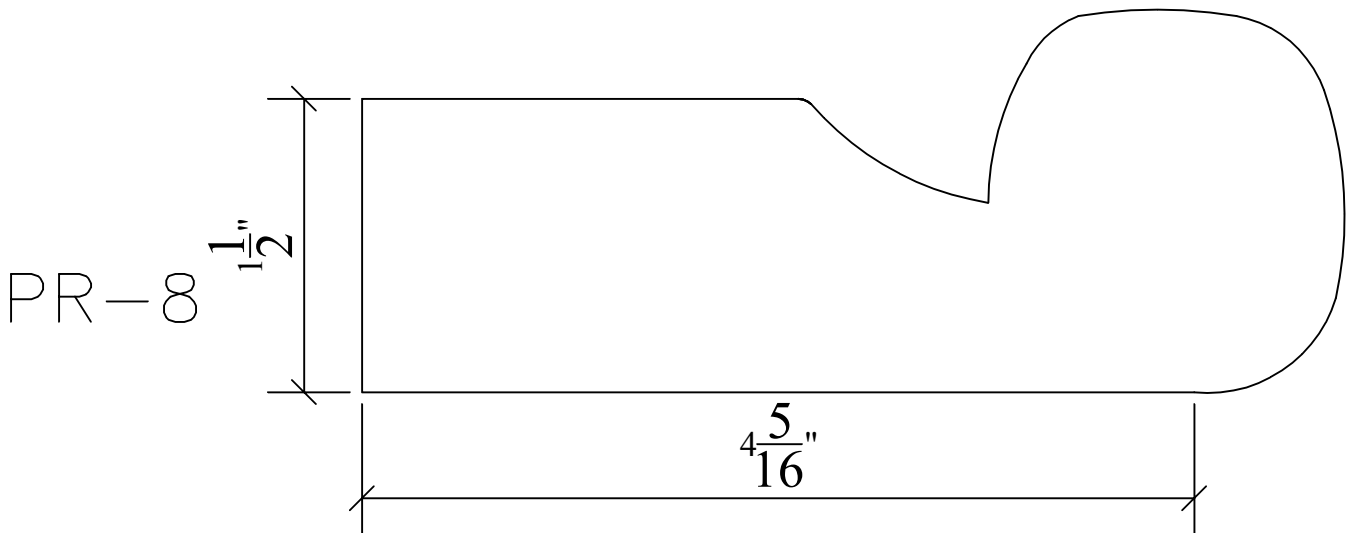




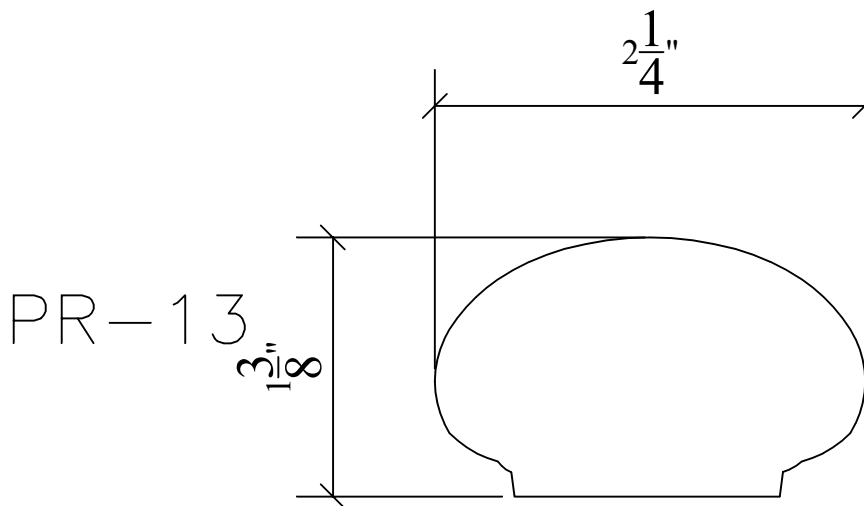
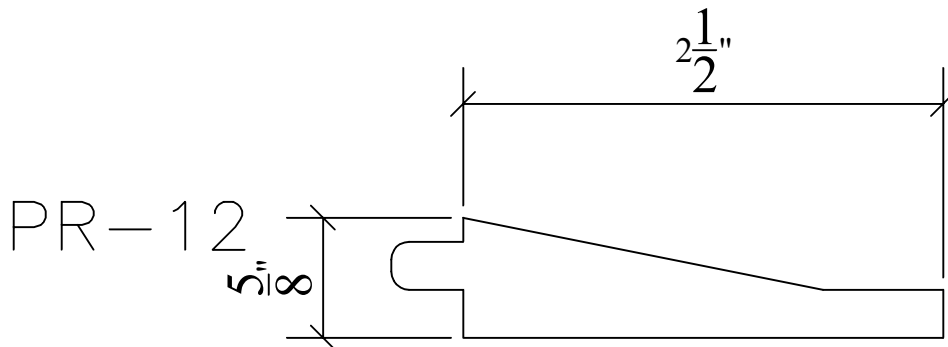
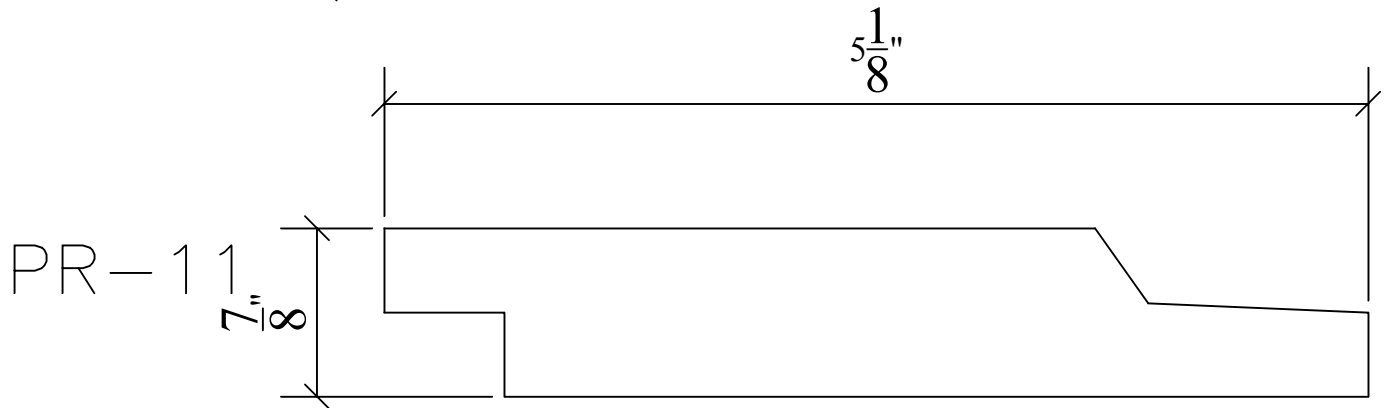
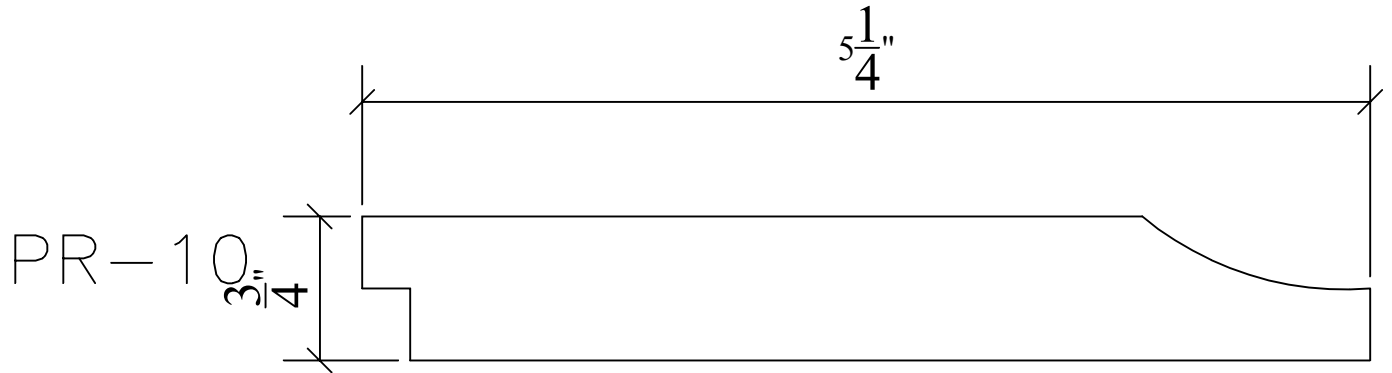
PR-9



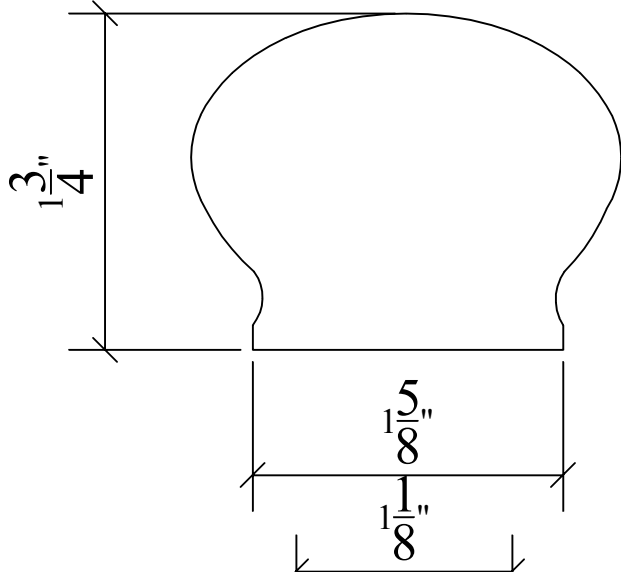
PR-7



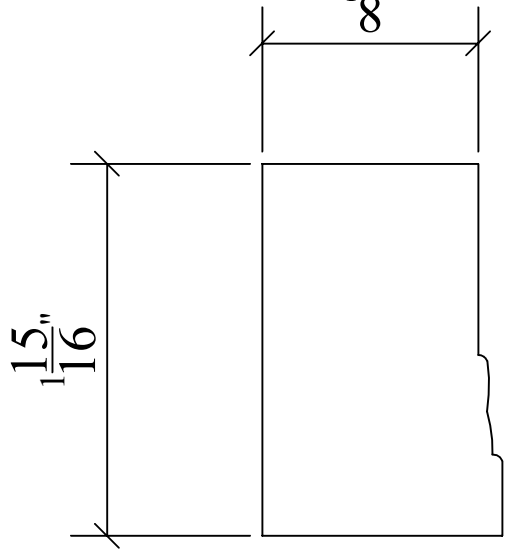
PR-8



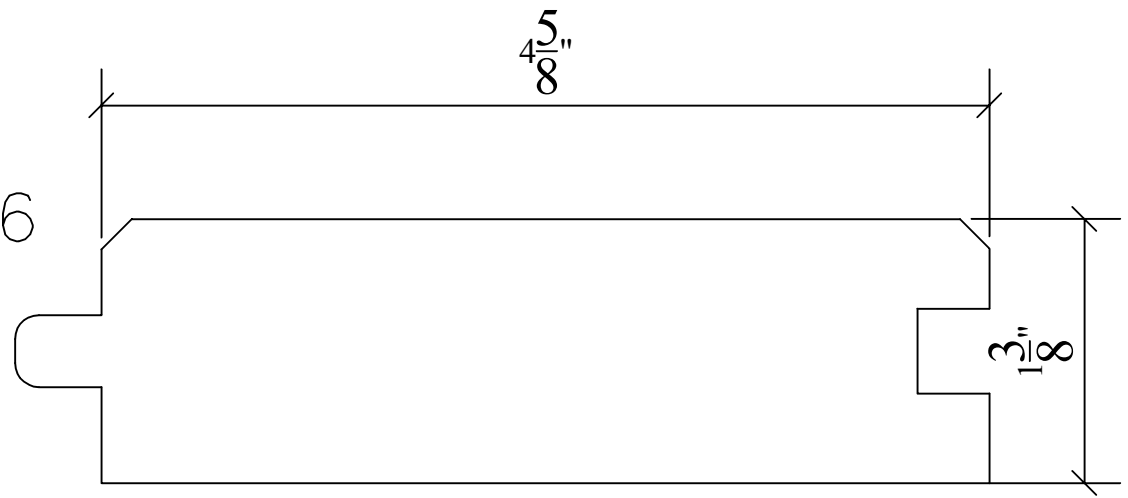
PR-14



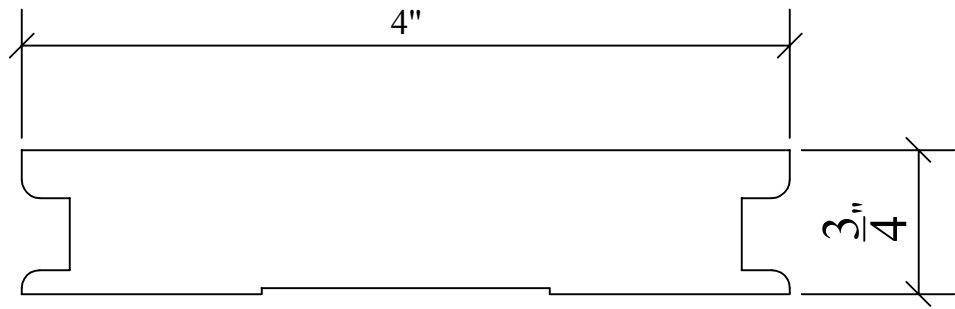
PR-15



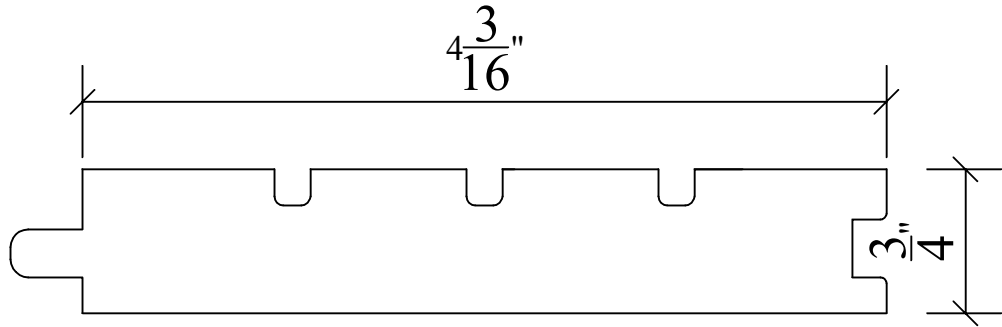
PR-16



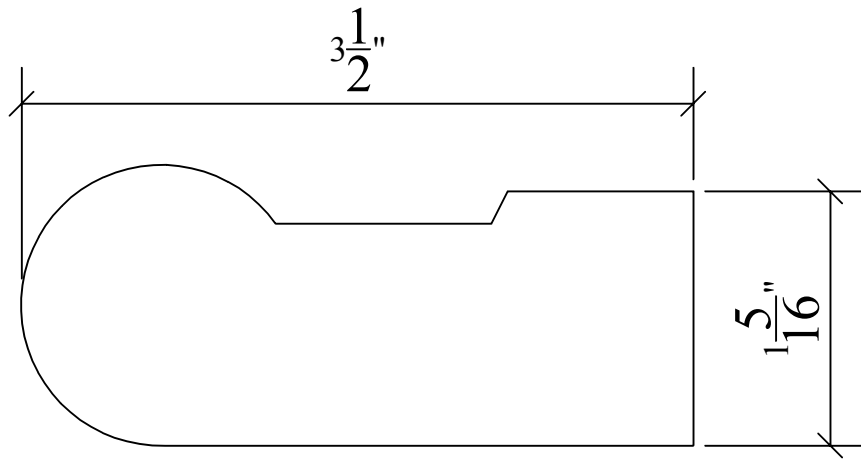
PR-17



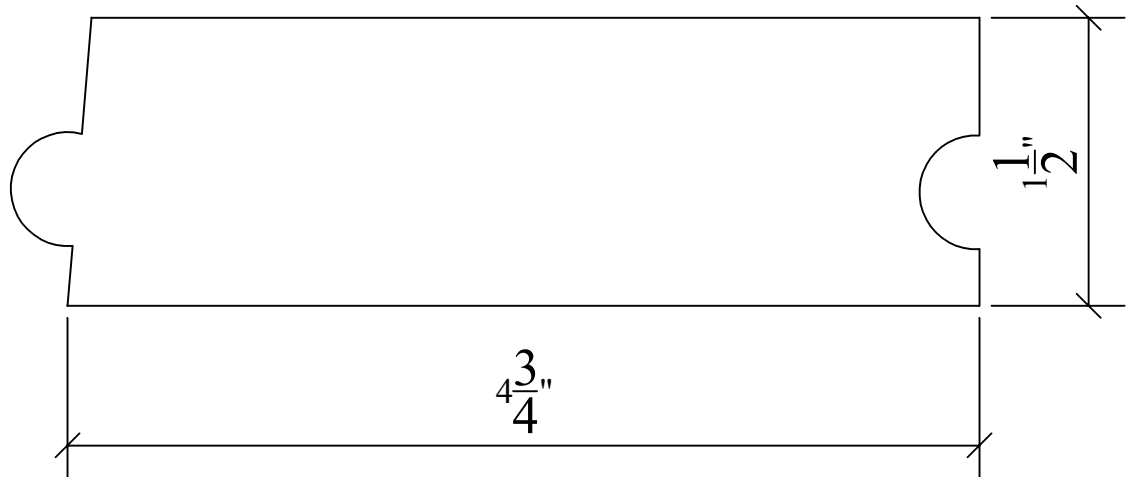
PR-18



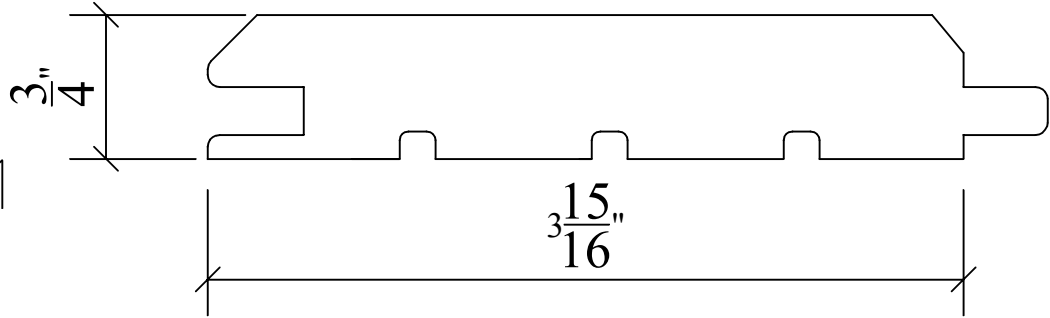
PR-19



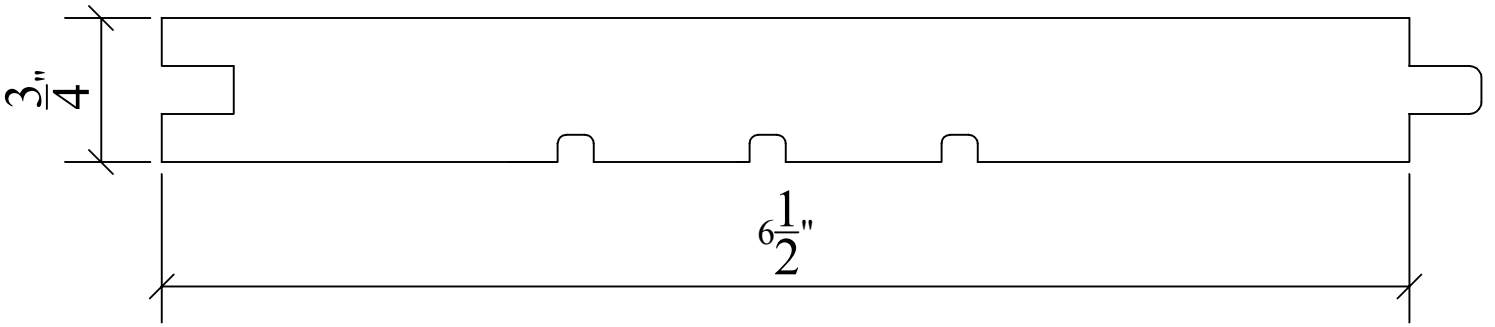
PR-20



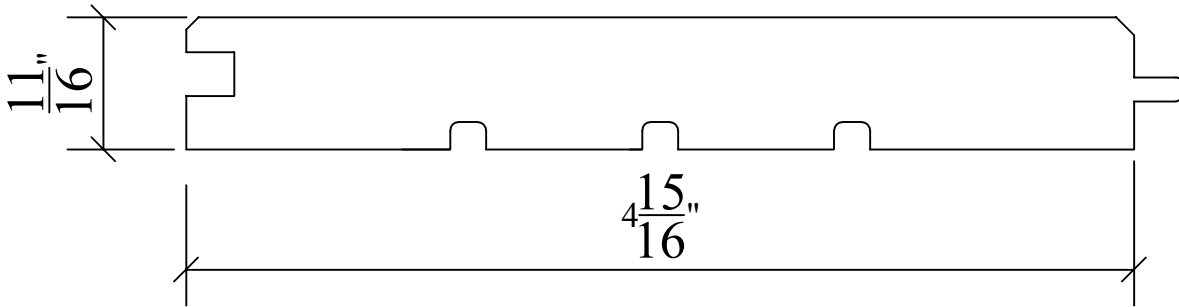
PR-21



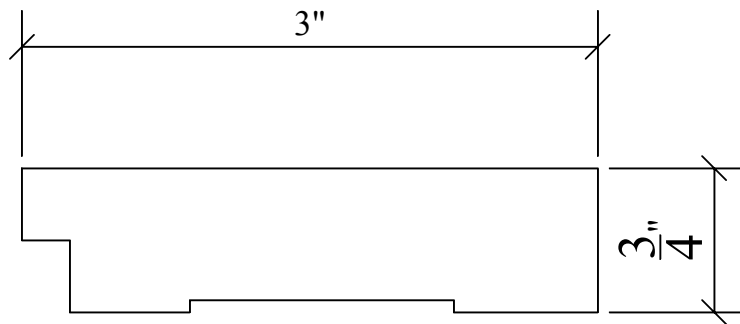
PR-22



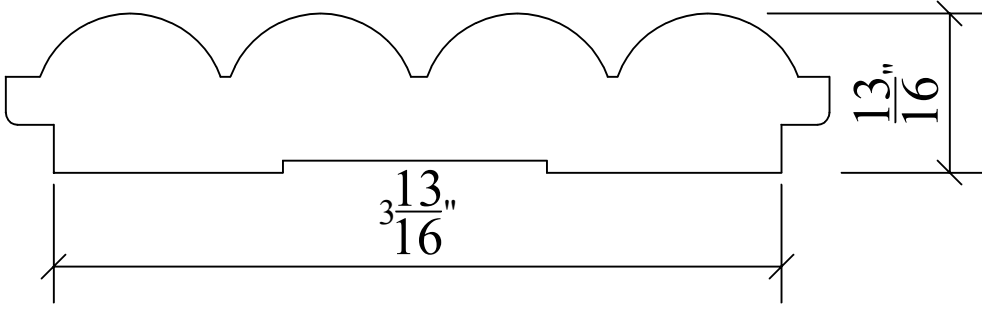
PR-23



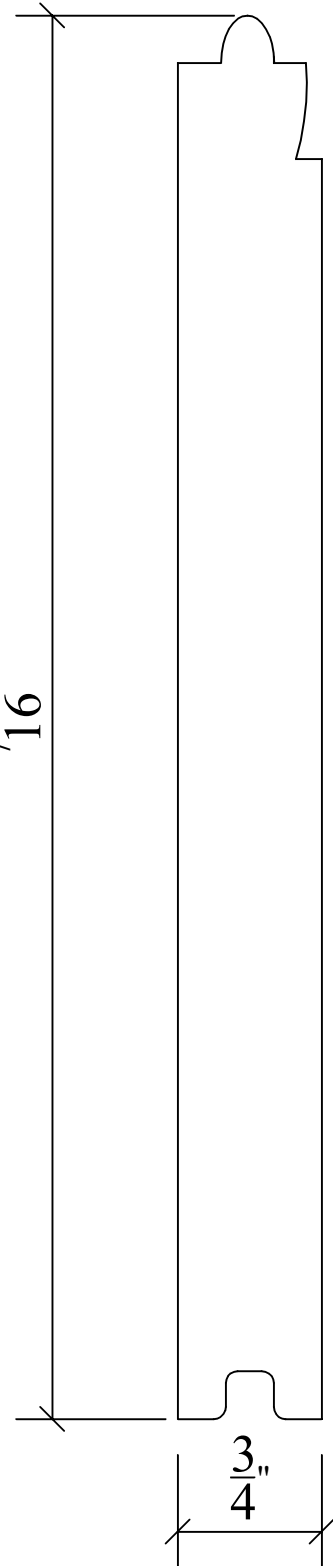
PR-24



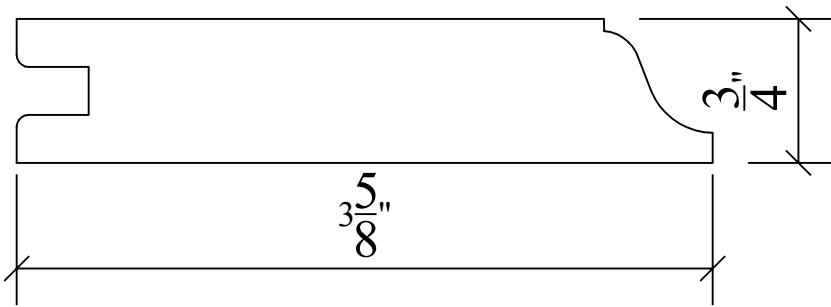
PR-25



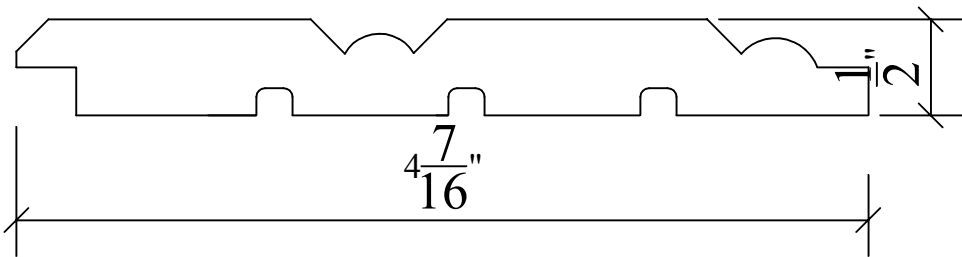
PR-27



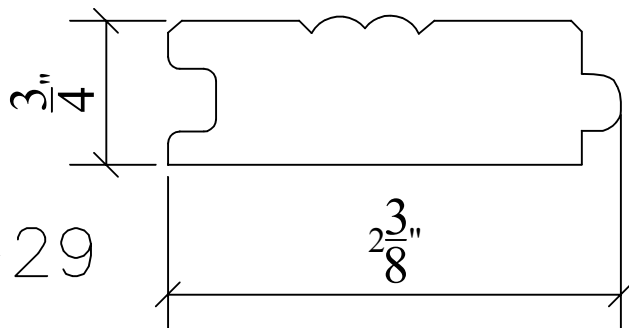
PR-26



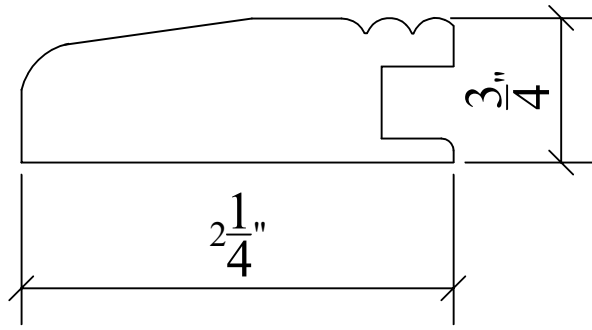
PR-28



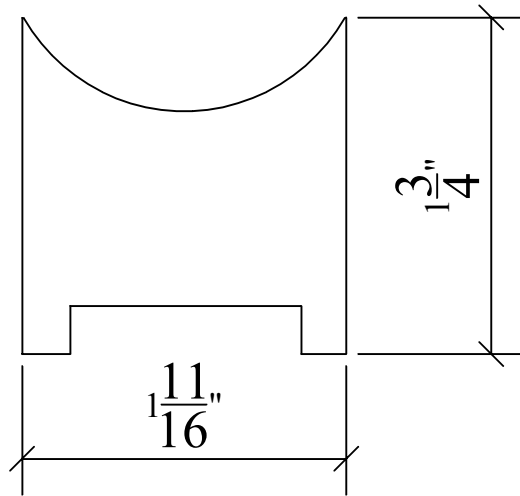
PR-29



PR-30



PR-31



PR-32

